

Box with Multi-Pole SPD for Photovoltaic Systems
ProTec Box T2 5Y RG
 Class II • Type 2



Location of Use: Photovoltaic Systems
 Mode of Protection: (+)-PE, (-)-PE, (+)-(-)
 IEC/EN Category: Class II, Type 2
 Housing: IP 65 Enclosure
 Compliance: EN 61643-31:2019
 IEC 61643-31:2018

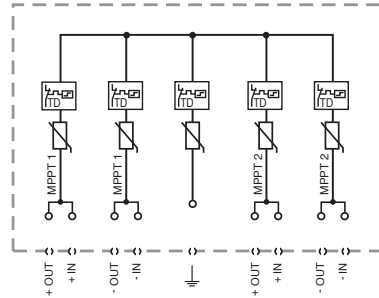
Technical Data

ProTec Box T2-xxxxPV-5Y(-L)(-RG)		1100	1500
Electrical			
Maximum Continuous Operating Voltage (DC)	U_{OPV}	1100V	1500V
Nominal Discharge Current (8/20 μ s)	I_n	20 kA	15 kA
Total Discharge Current (8/20 μ s)	I_{total}	40 kA	40 kA
Maximum Discharge Current (8/20 μ s)	I_{max}	40 kA	40 kA
Voltage Protection Level	U_p	4200V	4800V
Rated Load Current [Rubber Grommet]	I_L	45 A	45 A
Response Time	t_A	< 25 ns	< 25 ns
Short Circuit Current Rating	I_{SCPV}	9 kA	9 kA
Number of Strings per MPPT			2
Mechanical & Environmental			
Temperature Range	T_a	-40 °F to +185 °F [-40 °C to +85 °C]	
Permissible Humidity	RH	5%...95%	
Altitude		13123 ft [4000m]	
Type of Cable Entry		Cable Gland / Rubber Grommet	
Wire Insulation Outer Diameter	(min)	.15" [4 mm] (stranded, flexible)	
	(max)	.31" [8mm] (stranded, flexible)	
Conductor Cross Section [Cable Gland]	(min)	24 AWG [0.2mm ²] (stranded, flexible)	
	(max)	5 AWG [16mm ²] (stranded, flexible)	
2 Conductors with Same Cross Section and Twin Ferrule [Rubber Grommet]	(min)	20 AWG [0.5mm ²] (stranded, flexible)	
	(max)	9 AWG [6mm ²] (stranded, flexible)	
Degree of Protection [Rubber Grommet]		IP 65	
Thermal Protection		Yes	
Operating State / Fault Indication		Green Flag / Not Green Flag	
Housing Material		Polycarbonate with Semi-transparent	
Mounting		Wall - Indoor/Outdoor	

Internal Configuration

Legend

- +/, -/+ Terminal for +/, -/+ Conductor
- ⏏ Terminal for PE/G Conductor
- TD Thermal Disconnect



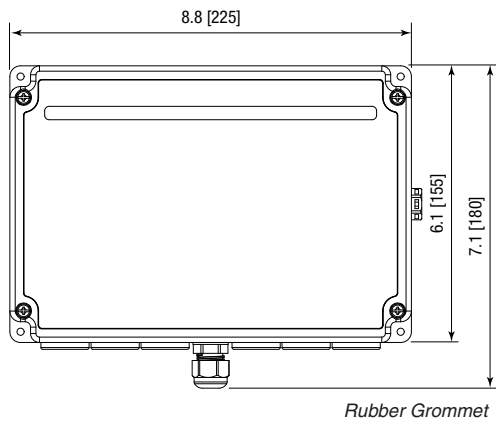
ProTec Box T2-xxxxPV-5Y(-S)(-RG)

Order Information

Order Code	1100	1500
ProTec Box T2-xxxxPV-5Y-L-RG (Rubber Grommet)	515 938	-
ProTec Box T2-xxxxPV-5Y-L-RG (Rubber Grommet)	-	515 939

Dimensions & Packaging

inches [mm]



Rubber Grommet

Complete Unit

ProTec Box T2-xxxxPV-5Y(-L)(-RG)	1100	1500	
Single Unit Weight	pounds [grams]	2.800 [1270]	2.888 [1310]
Packaging Dimensions (H x W x L)	15.1 x 17.7 x 21.6" [385 x 450 x 550 mm]		
Minimum Package Quantity	1 Unit		

Information contained in this document is subject to change at any time without notice.

